

DATASHEET

FUJITSU Software BS2000 OMNIS V8.5

CENTRAL CONTROL SYSTEM

ABSTRACT

OMNIS enables a terminal to interwork concurrently with multiple communication partners. The communication partners can be any user applications (UTM, DCAM) or the system application \$DIALOG (Timesharing processing, TIAM) and \$CONSOLE (System operating, UCON). Hence the following main uses:

- **Central remote operating for BS2000 servers**
OMNIS permits the administration of a large number of BS2000 servers from a single terminal. This terminal communicates with the \$CONSOLE or \$VMCONS system applications of all the connected servers at the same time, receiving console messages from each system or sending commands to each server.
- **Functionally distributed operating**
OMNIS can also distribute the console messages received from the various systems among a number of terminals according to operator functions (spool, device, data communication and system consoles).
- **Program development; remote dialog**
OMNIS allows a number of local or remote dialog tasks to be initiated simultaneously, a feature that can be used at the program development level to test multitask systems.
- **DB/DC administration**
A centralized UTM (DB) administration can be achieved by setting up connections to a number of UTM applications or databases.
- **Dialog control for more than one (UTM) application**
Communication with a number of applications in turn is now made much easier by OMNIS, which sets up and clears down the relevant connections and presents the user with simple switchover options. The use of the software product OMNIS-MENU, whose menu-driven user interface requires no detailed knowledge of OMNIS, is even more convenient, particularly when the operator has had no IT training.

OFFERING

Functional Description

- *Dialog control*
OMNIS controls the dialog between a terminal and a number of communication partners.
- *Terminal as a console*
A terminal can receive console messages and issue console commands via OMNIS.
- *Console as a terminal*
Physical BS2000 consoles can also control interactive processes via OMNIS.
- *Bulletin file*
The contents of the bulletin file are automatically displayed on all terminals connected to OMNIS.
- *Command files*
Frequently-used command sequences can be stored in files (special case: OMNIS startup file).
- *Partner groups*
Several partners can be referenced jointly (message duplication).
- *Screen overflow control*
Optionally, OMNIS can stop the output of messages to a terminal when the screen is full as well as allowing input in cases of long-running output.
- *Message output control*
OMNIS provides capabilities for dynamic message output control in three classes (output, temporary storage, no output).
- *Screen and P key backup*
Activating a special message flow controller, in conjunction with backing up the screen contents and the P key assignment when changing partners, ensures that dialog with a partner application is undisturbed.
- *Predefined configurations*
The optional automatic connection setup at OMNIS startup makes for enhanced data security and easy handling.
- *Protection against network failures*
Following a loss of connection to a terminal, all the dialogs can be continued from another terminal. The partners do not notice this "swapping" of terminals, which can also be carried out selectively.
- *Hardcopy function*
Hardcopy units are supported both in cross-terminal traffic and as independent devices. A variable assignment of the printers to partners / terminals is possible. Individual screens can be printed out via RSO on request.
- *Dialog logging*
Optionally, OMNIS records all messages in a logging file which can be printed out by the OMNIS administrator. OMNIS can also support online paging through the logging file.
- *Indirect connections (OMNIS-OMNIS)*
Performance and availability can be improved by transferring processing functions to a decentralized OMNIS application.
- *Multiplex connections (OMNIS-UTM)*
For communication with UTM partners, multiplex connections, via which a number of sessions can run concurrently, are used, thereby reducing significantly e.g. system and OMNIS resource requirements. The connection of ID card readers is also supported.
- *HIPLEX support*
Within the BS2000 HIPLEX concept, OMNIS, in conjunction with the product HIPLEX AF, allows UTM applications to be relocated in the event of a fault without losing the connection to the end users.

- *Load balancing*
Load balancing is offered for TIAM and DCAM partners.
- *Variable concept*
OMNIS configuration files can be created by variables in an easier and more flexible way.
- *Exchange of messages between terminals*
Terminals can exchange messages by means of the MES command.
- *Message filter*
Console messages can be suppressed selectively.
- *Message answering*
The user can predefine automatic reactions (responses or commands) to selected console messages. As an option, OMNIS users can only answer the console messages output on their own terminals.
- *Administration*
By means of an administration password, certain global functions are locked to general use.
- *Help texts*
Short explanations of commands and messages can be displayed by the user at any time.
- *Information functions*
OMNIS provides a wide range of capabilities for requesting current situation values.
- *Exit routines*
The user can write his own message handling subroutines. These routines can be used to modify or block messages, or for the automatic handling of entire dialogs with partners. The serial processing of a number of exit routines is also possible.
- *Monitoring a dialog*
With the agreement of the user, the administrator can view the dialog. This greatly facilitates the analysis of any problems and user errors which have occurred.
- *Colour terminal support*
The colour terminals supported by VTSU permit a partner-specific colour assignment of terminal outputs. In the case of monochrome terminals, partner-specific text attributes (e.g. italics) can be used instead of colors.

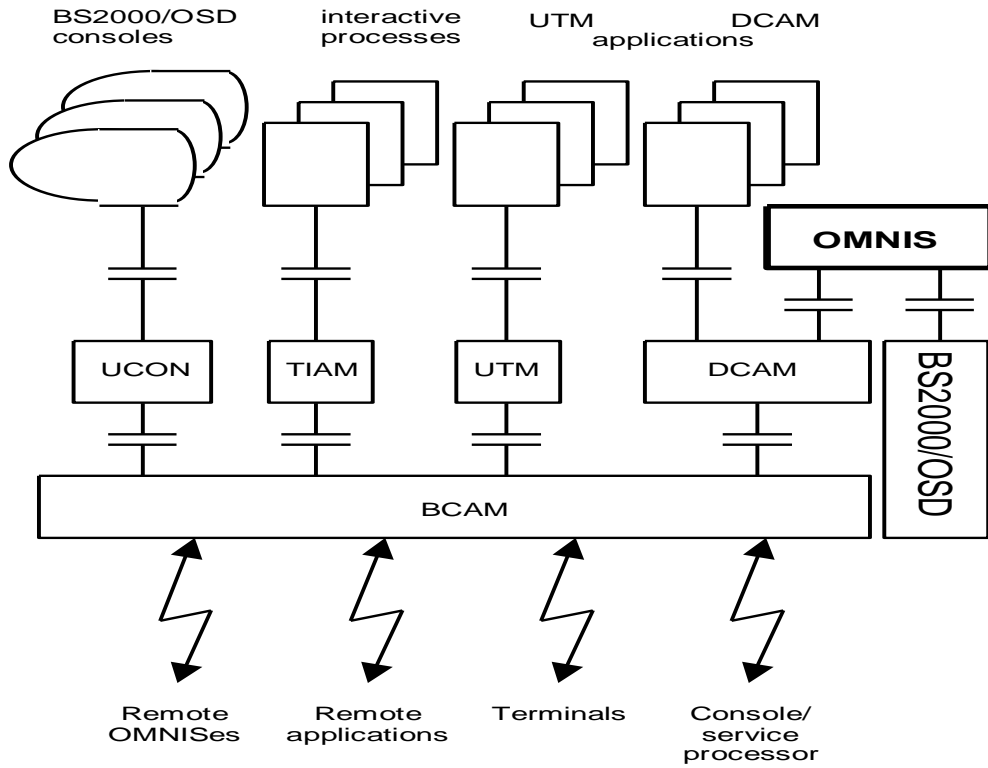
Program Description

- *Terminal sign-on*
OMNIS can be used simultaneously by any number of terminals. A terminal must establish a connection to OMNIS by means of a pre-dialog, supplying a password specified by the OMNIS administrator if necessary.
- *Communication with partners*
The communication between partners is particularly simple. Each partner is assigned a code which identifies him uniquely. Messages sent to other partner are simply prefixed with that partner's code. Conversely, OMNIS prefixes the output messages of a partner with his own code, thereby uniquely identifying the originator of each message.
- *Configuration*
It is possible to update all objects in an OMNIS configuration while the system is running, thus supporting genuine 24-hour operation.
- *Data security*
Full data security is ensured; none of the terminals using OMNIS at the same time can access another terminal or send messages to / receive messages from any of its partners. The choice of partners

can be restricted by the OMNIS administrator by declaration. OMNIS supports chip cards for user authentication in timesharing or UTM mode and also for system operating. Furthermore the

transparent forwarding of the Kerberos SSO (Single Sign On) to the TIAM partner is supported.

OMNIS in the BS2000/OSD Environment



TECHNICAL DETAILS

Technical data	
Hardware	BS2000/OSD Business Server
Software	BS2000/OSD-BC V6.0 or higher openNet Server V3.0 or higher TIAM V13.1 or higher <i>optional</i> : openUTM V3.4 or higher
Operating mode	Transaction processing mode
Implementation language	Assembler
User interface	Commands English Message texts English/German (optional)
Installation	By the user, in accordance with the user guide
Documentation	OMNIS Functions and Commands OMNIS Administration and Programming
Conditions	This software product can be purchased by the customer against a single payment or leased in accordance with the conditions for the use of software products.
Ordering and delivery	This software product may be obtained from your local Fujitsu Technology Solutions GmbH regional office.

FUJITSU PLATFORM SOLUTIONS

In addition to FUJITSU OMNIS (BS2000/OSD)/Software, FUJITSU provides a range of platform solutions. They combine reliable FUJITSU products with the best in services, know-how and worldwide partnerships.

Dynamic Infrastructures

With the FUJITSU Dynamic Infrastructures approach, FUJITSU offers a full portfolio of IT products, solutions and services, ranging from clients to datacenter solutions, Managed Infrastructure and Infrastructure-as-a-Service. How much you benefit from FUJITSU technologies and services depends on the level of cooperation you choose. This takes IT flexibility and efficiency to the next level.

Computing Products

www.fujitsu.com/global/services/computing/

Software

www.fujitsu.com/software/

MORE INFORMATION

Learn more about FUJITSU OMNIS (BS2000/OSD)/Software, please contact your FUJITSU sales representative or FUJITSU Business partner, or visit our website.

<http://ts.fujitsu.com/products/bs2000/software/management/system/omnis.html>

FUJITSU GREEN POLICY INNOVATION

FUJITSU Green Policy Innovation is our worldwide project for reducing burdens on the environment. Using our global know-how, we aim to resolve issues of environmental energy efficiency through IT. Please find further information at <http://www.fujitsu.com/global/about/environment/>



COPYRIGHT

© Copyright 2010 FUJITSU Technology Solutions

FUJITSU, the FUJITSU logo and FUJITSU brand names are trademarks or registered trademarks of FUJITSU Limited in Japan and other Countries. Other company, product and service names may be trademarks or registered trademarks of their respective owners.

DISCLAIMER

Technical data are subject to modification and delivery subject to availability. Any liability that the data and illustrations are complete, actual or correct is excluded. Designations may be trademarks and/or copyrights of the respective manufacturer, the use of which by third parties for their own purposes may infringe the rights of such owner.

CONTACT

FUJITSU Technology Solutions

Email: cic@ts.fujitsu.com

Website: www.ts.fujitsu.com/bs2000

2014-08-01 EM EN