

Datasheet

FUJITSU Storage

ETERNUS CS LINK for IBM System i

The FUJITSU Storage ETERNUS CS LINK for IBM System i allows tape operations from IBM mainframe systems with FUJITSU Storage ETERNUS CS8000 data protection appliances



ETERNUS CS LINK for IBM System i

The ETERNUS CS LINK for IBM System i is the new library management software to integrate ETERNUS CS8000 in System i environments. Installed at the System i platform it enables fast backup and recovery of entire systems, databases or individual user data. The concept includes:

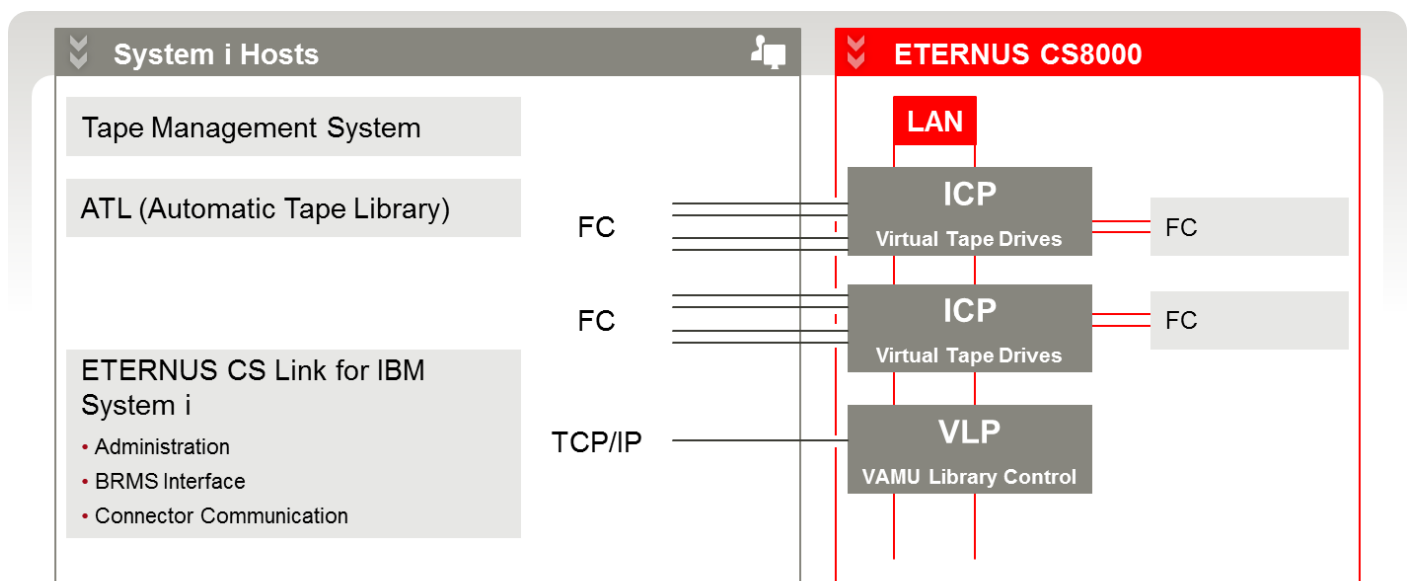
- Use of standard System i mechanisms for tape device allocation and mount influencing

Main features

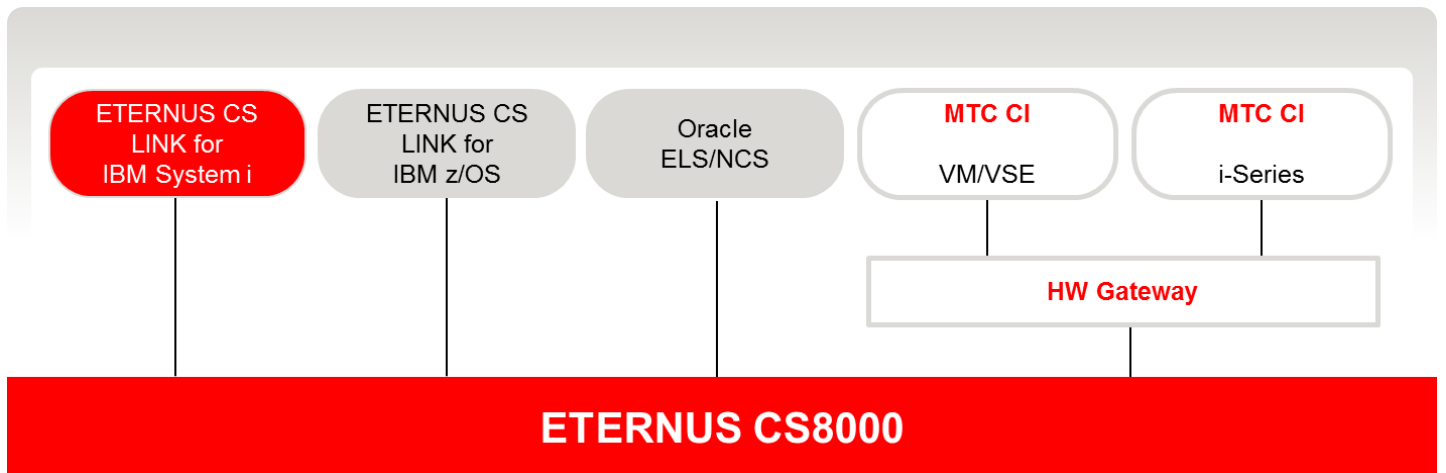
ETERNUS CS Link for IBM System i provides following main features in System i:

- Allocation via standard IBM BRMS functions
- Mount interpretation via BRMS (Backup, Recovery and Media Services) and scratch selection
- TCP/IP connection to ETERNUS CS8000 connected via LAN

ETERNUS CS Link for IBM System i uses the VAMU, the Virtual Library interface of ETERNUS CS8000. The technical software connection takes place via a host software for an ATL (Automatic Tape Library) which run in conjunction with BRMS AS/400. Logical drives are defined as 3590 tapes in System i.



The ETERNUS CS8000 client software family



The ETERNUS CS LINK for IBM System i is part of the ETERNUS CS8000 client software family

- **ETERNUS CS LINK for IBM System i** is the new base to integrate the ETERNUS CS8000 in System i environments. Key feature is the usage of standard AS/400 BRMS mechanism for tape allocation and mount influence.
- **ETERNUS CS LINK for IBM z/OS** is the base to integrate the ETERNUS CS8000 in large scale z/OS environments. Key feature is the usage of standard z/OS mechanism for tape device allocation and mount processing.
- **Oracles ELS/NCS** Software can be used and delivered to integrate the ETERNUS CS8000 into a heterogeneous or existing Virtual Tape Environment.
- **MTC CI (for VM/VSE and i-Series)** for integrating ETERNUS CS8000 into VM/VSE or i-Series environments. A hardware gateway (HW Gateway) is required and part of the offering.

More information

Fujitsu Services

Professional Services

Fujitsu provides complete support for data protection optimization. Covering everything from consulting and design to integration and inspection services, these professional services are designed to ensure that your ETERNUS CS8000 satisfies your requirements within your data center. The smooth handover to operational work delivers the basis for optimized maintenance services.

Maintenance Services

The ETERNUS CS8000 SolutionContract provides proactive and reactive maintenance and support services according to customer's needs. The proactive service elements enable the early identification of critical system conditions and the initiation of preventive measures, for example a System Health Check to ensure that the required performance and high availability of the solution infrastructure are sustained. A dedicated Technical Account Manager is responsible to ensure sustained service quality.

More information

Learn more about Fujitsu ETERNUS CS8000, please contact your Fujitsu sales representative, Fujitsu business partner, or visit our website.

www.fujitsu.com/eternus

Fujitsu green policy innovation

Fujitsu Green Policy Innovation is our worldwide project for reducing burdens on the environment. Using our global know-how, we aim to resolve issues of environmental energy efficiency through IT. Please find further information at: www.fujitsu.com/global/about/environment/



Copyright

© Copyright 2014 Fujitsu Technology Solutions GmbH
Fujitsu, the Fujitsu logo are trademarks or registered trademarks of Fujitsu Limited in Japan and other countries. Other company, product and service names may be trademarks or registered trademarks of their respective owners.

Disclaimer

Technical data subject to modification and delivery subject to availability. Any liability that the data and illustrations are complete, actual or correct is excluded. Designations may be trademarks and/or copyrights of the respective manufacturer, the use of which by third parties for their own purposes may infringe the rights of such owner.

Contact

FUJITSU
Website: www.fujitsu.com/eternus
2014-03-04 WW-EN